



MAFFS PUMPS
P V T L T D

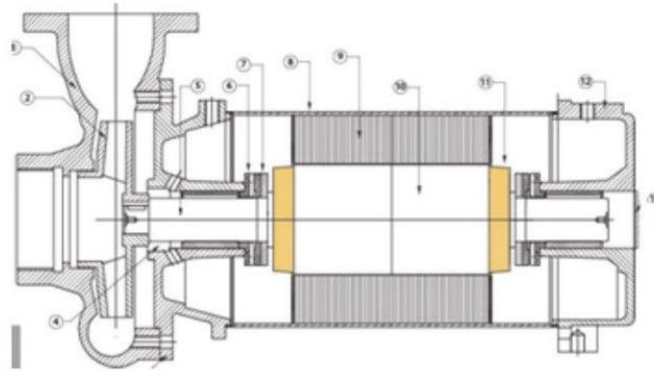


- MANUFACTURE
- SERVICES PROVIDER
- EXPORTER
- PROJECT SUPPLIERS



Wide range of Domestic and Agriculture submersible pumps, solar pumps and pumps spare parts etc

MONO 3 HP TO 10 HP



SR NO	Part's Name	Material
1	Chamber	C.I (FG-200)
2	Impeller	C.I (FG-200)
3	Upper Brg Housing	C.I (FG-200)
4	Oil Seal	Nitrite & S.S
5	Rotar	-----
6	Counter Bearing Bush	L.T.8- 4
7	Thrust Pad	C.I + Teflon
8	Stator Tube	M.S/S.S.
9	Stator Stamping	CRNO
10	Rotor Stamping	CRNO
11	Alluminium Die Cast	E.C Grade
12	Lower Brg Housing	C.I (FG-200)
13	Back Cover	C.I (FG-200)

V8 MOTOR ASSEMBLY



MODEL

NH29

TYPE	H.P	SUCTION/DELIVERY SIZE (MM)	DISCHARGE(LPM)	HEAD RANGE(MTR)
NHZ9HH	3	65*50	590 to 360	5 to 22
NHZ8LH	3	65*65	766 to 192	5 to 26
NHZ8HH	5	65*50	661 to 304	5 to 38
NHZ8LH	5	65*65	1024 to 496	5 to 30
NHZ9HH	6.5	65*50	541 to 351	5 to 38
NHZ8LH	6.5	65*65	1210 to 676	5 to 28
NHZ8HH	7.5	65*50	649 to 490	5 to 38
NHZ8LH	7.5	65*65	730 to 540	5 to 32
NHZ8LH	7.5	80*80	1183 to 715	5 to 30

METHOD OF STARTING

SP

DOL

RPM

2850

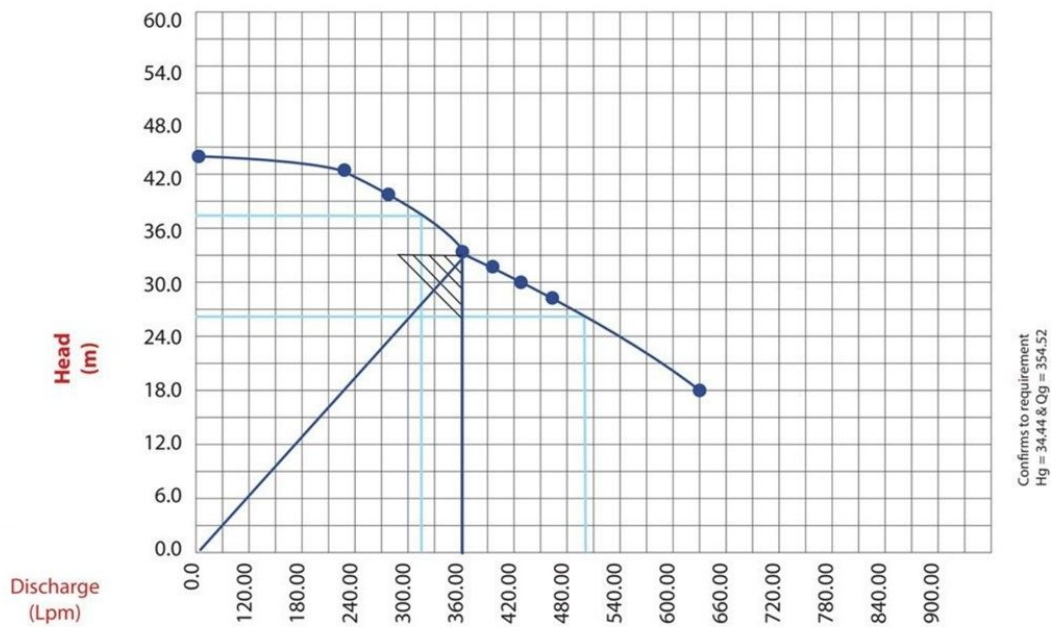
V8 MOTOR ASSEMBLY

SALIENT FEATURES

- Confirm to IS 8034: 2002
- Energy efficient pumpsets
- Easy to dismantle and repair
- Available from 3 to 7.5 HP in T.P
- Wide operating voltage range
- Confirm to IS 14220:1994

SPECIAL OPTIONS

- Available in SS & MS body only





MAFFS PUMPS
P V T L T D



आत्मनिर्भर भारत



Factory Address:-
134, Industrial Estate, Sangli - 416416 (M.S. - India)
Contact 9820568022

Regd Office 303, Badhra Apartment, Western Park,
Misquita Wadi, Western Express Highway No. 8,
Mira Road (East) Dist. Thane 401107, India. Contact
No 9820568025

www.maffspumps.com