



MAFFS PUMPS  
P V T L T D



- MANUFACTURE
- SERVICES PROVIDER
- EXPORTER
- PROJECT SUPPLIER

All types of Industrial Pumps  
and all types of pumps spares  
etc.

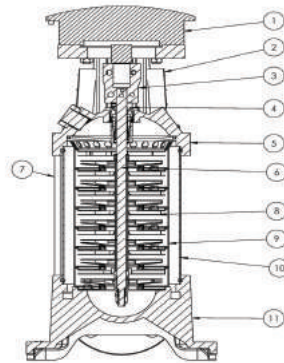


**MAFFS PUMPS**  
P V T L T D

## Pump Specification:



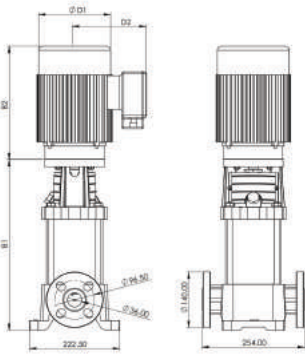
Cross Section View



BOM of Pumps

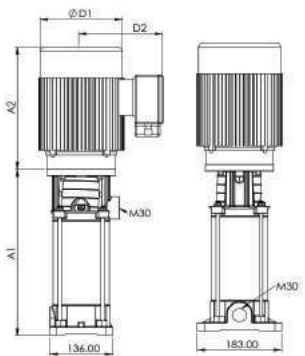
MAIN COMPONENT		
No.	Description	Material
1	Motor	
2	Coupling Cover	SS304
3	Coupling	Cast Iron
4	Mechanical Seal	Carbon/TC/Viton
5	Deffuser	SS304
6	Uper Casting	Cast Iron
7	Pump Shaft	SS304
8	Tention Bar	SS304
9	Impeller	SS304
10	Deffuser Assembly	SS304
11	Outer Sleeve	SS304
12	Base	Cast Iron

## General Specification Detail Dwg:-



MODEL	SIZE(mm)				
	B1	B2	B1+B2	D1	D2
KP2-9	404.50	271.50	676.00	162.00	145.50
KP2-11	440.50	271.50	712.00	162.00	145.50
KP2-13	476.50	276.60	753.10	182.80	153.60
KP2-15	512.50	276.60	789.10	182.80	153.60
KP2-18	566.50	276.60	843.10	182.80	153.60
KP2-22	638.50	276.60	915.10	182.80	153.60
KP4-12	566.50	276.60	843.10	182.80	153.60
KP4-16	674.50	308.00	982.50	195.00	176.65
KP4-19	755.50	308.00	1063.50	195.00	176.65

## Eco Type:-



MODEL	SIZE(mm)				
	A1	A2	A1+A2	D1	D2
KP2-9	389.45	271.50	660.95	162.00	145.50
KP2-11	425.45	271.50	696.95	162.00	145.50
KP2-13	461.45	276.60	738.05	182.80	153.60
KP2-15	497.45	276.60	774.05	182.80	153.60
KP2-18	561.45	276.60	838.05	182.80	153.60
KP2-22	623.45	276.60	900.05	182.80	153.60



Our Products:-

2 Series- Flange Type :-



KP2-9



KP2-11



KP2-13



KP2-15



KP2-18



KP2-22

2 Series- Eco Type :-



KP2-9



KP2-11



KP2-13



KP2-15



KP2-18



KP2-22

4 Series- Flange Type :-



KP4-12



KP4-16



KP4-19



KP4-22



## Pumps Series - KP4-19 Technical Data:-

Flow rate : 0-146.3 L/m  
 Flow height: 184 m  
 Voltage : 214.5-232v  
 Frequency : 50 Hz  
 PF : 0.98  
 Material :Stainless steel

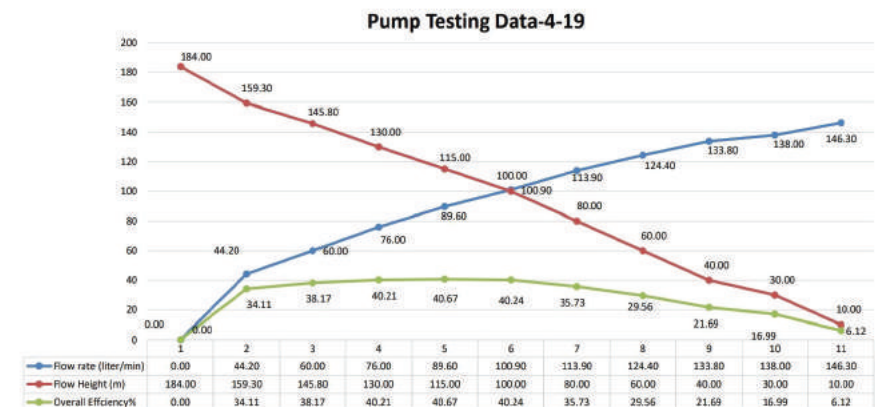
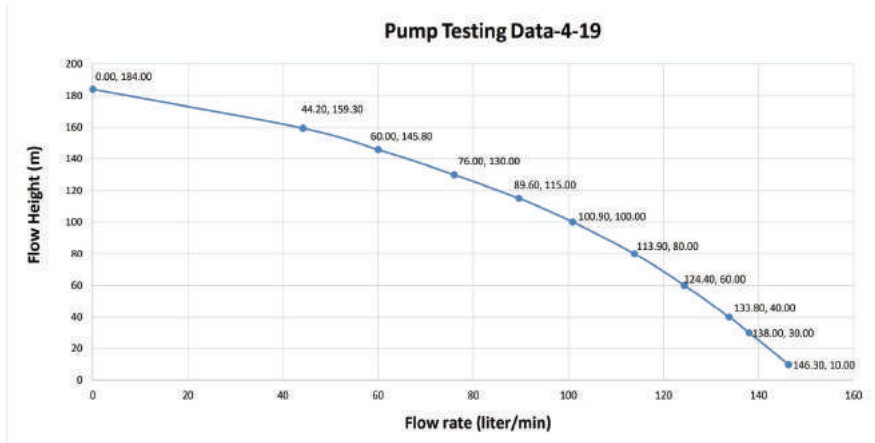
### Pump Testing Data 4 -19(4HP)

Frequency-50HZ		PF-0.98					
SR NO	Voltage (V)	Current (A)	Input Power (KW)	Output Power (KW)	Flow rate (liter/min)	Flow Height (m)	Overall Efficiency%
1	232	9.90	2.30	0.00	0.00	184.00	0.00
2	221	15.26	3.37	1.15	44.20	159.30	34.11
3	219	17.10	3.74	1.43	60.00	145.80	38.17
4	217	18.50	4.01	1.61	76.00	130.00	40.21
5	215.6	19.20	4.14	1.68	89.60	115.00	40.67
6	214.5	19.10	4.10	1.65	100.90	100.00	40.24
7	220	18.94	4.17	1.49	113.90	80.00	35.73
8	223	18.50	4.13	1.22	124.40	60.00	29.56
9	224	18.00	4.03	0.87	133.80	40.00	21.69
10	224	17.78	3.98	0.68	138.00	30.00	16.99
11	225	17.36	3.91	0.24	146.30	10.00	6.12

### Application:-

- > Water supply System
- > Ro Plant
- > Industrial washing system
- > STV Plant
- > Boiler feed system
- > Heavy machinery like VMC, Wire cut.

### Performance Chart :-

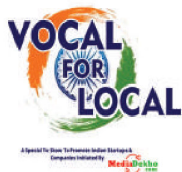


Model-KP4-19





**MAFFS PUMPS**  
P V T L T D



**Factory Address:-**

**134, Industrial Estate, Sangli - 416416 (M.S. - India)  
Contact 9820568022**

**Regd Office 303, Badhra Apartment, Western Park,  
Misquita Wadi, Western Express Highway No. 8,  
Mira Road (East) Dist. Thane 401107, India.**

**Contact No 9820568098**

**E-Mail : [sales@maffspumps.com](mailto:sales@maffspumps.com)**

**[www.maffspumps.com](http://www.maffspumps.com)**