



MAFFS PUMPS
P V T L T D



- MANUFACTURE
- SERVICES PROVIDER
- EXPORTER
- PROJECT SUPPLIER

All types of Industrial Pumps
and all types of pumps spares
etc.

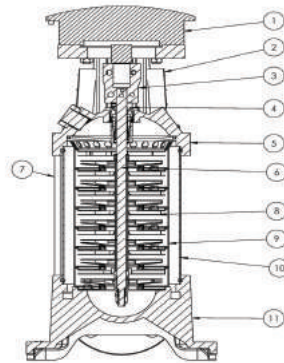


MAFFS PUMPS
P V T L T D

Pump Specification:



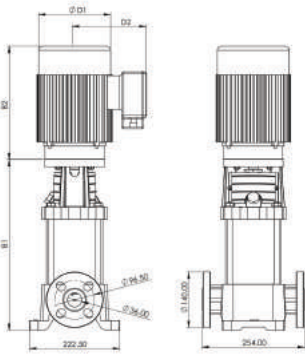
Cross Section View



BOM of Pumps

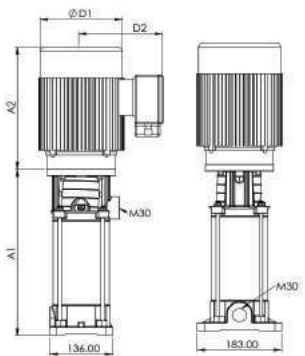
MAIN COMPONENT		
No.	Description	Material
1	Motor	
2	Coupling Cover	SS304
3	Coupling	Cast Iron
4	Mechanical Seal	Carbon/TC/Viton
5	Deffuser	SS304
6	Uper Casting	Cast Iron
7	Pump Shaft	SS304
8	Tention Bar	SS304
9	Impeller	SS304
10	Deffuser Assembly	SS304
11	Outer Sleeve	SS304
12	Base	Cast Iron

General Specification Detail Dwg:-



MODEL	SIZE(mm)				
	B1	B2	B1+B2	D1	D2
KP2-9	404.50	271.50	676.00	162.00	145.50
KP2-11	440.50	271.50	712.00	162.00	145.50
KP2-13	476.50	276.60	753.10	182.80	153.60
KP2-15	512.50	276.60	789.10	182.80	153.60
KP2-18	566.50	276.60	843.10	182.80	153.60
KP2-22	638.50	276.60	915.10	182.80	153.60
KP4-12	566.50	276.60	843.10	182.80	153.60
KP4-16	674.50	308.00	982.50	195.00	176.65
KP4-19	755.50	308.00	1063.50	195.00	176.65

Eco Type:-



MODEL	SIZE(mm)				
	A1	A2	A1+A2	D1	D2
KP2-9	389.45	271.50	660.95	162.00	145.50
KP2-11	425.45	271.50	696.95	162.00	145.50
KP2-13	461.45	276.60	738.05	182.80	153.60
KP2-15	497.45	276.60	774.05	182.80	153.60
KP2-18	561.45	276.60	838.05	182.80	153.60
KP2-22	623.45	276.60	900.05	182.80	153.60



Our Products:-

2 Series- Flange Type :-



KP2-9



KP2-11



KP2-13



KP2-15



KP2-18



KP2-22

2 Series- Eco Type :-



KP2-9



KP2-11



KP2-13



KP2-15



KP2-18



KP2-22

4 Series- Flange Type :-



KP4-12



KP4-16



KP4-19



KP4-22



Pumps Series - KP4-16 Technical Data:-

Flow rate : 0-133.5 L/m
 Flow height: 156 m
 Voltage : 215-230v
 Frequency : 50 Hz
 PF : 0.98
 Material :Stainless steel

Pump Testing Data 4 -16(4HP)							
Frequency-50HZ		PF-0.98					
SR NO	Voltage (V)	Current (A)	Input Power (KW)	Output Power (KW)	Flow rate (liter/min)	Flow Height (m)	Overall Efficiency(%)
1	230	8.00	1.84	0.00	0.00	156.00	0.00
2	223	10.79	2.41	0.64	27.00	146.00	26.77
3	219	13.00	2.85	0.97	43.60	135.90	34.01
4	216.9	14.30	3.10	1.19	57.60	126.00	38.23
5	217	15.40	3.34	1.33	70.20	116.00	39.82
6	215	15.70	3.38	1.38	79.80	106.00	40.95
7	218	15.90	3.47	1.45	92.00	96.60	41.89
8	217.9	16.00	3.49	1.39	99.00	86.00	39.90
9	217	15.90	3.45	1.22	113.10	66.20	35.46
10	217	15.50	3.36	0.93	125.50	45.20	27.55
11	218	15.11	3.29	0.66	133.50	30.20	20.00

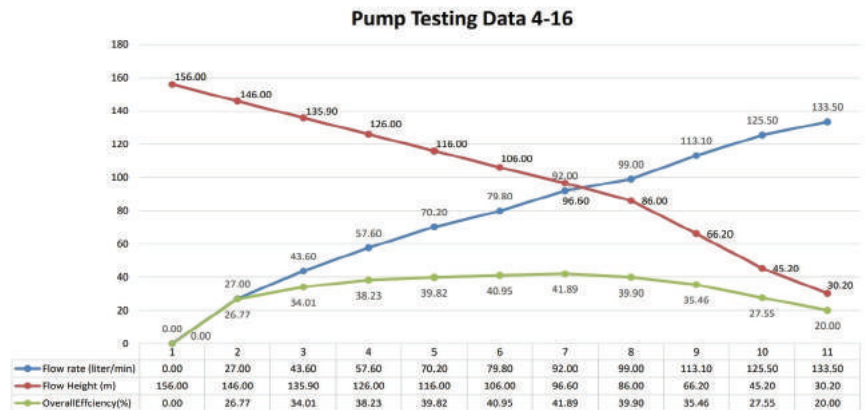
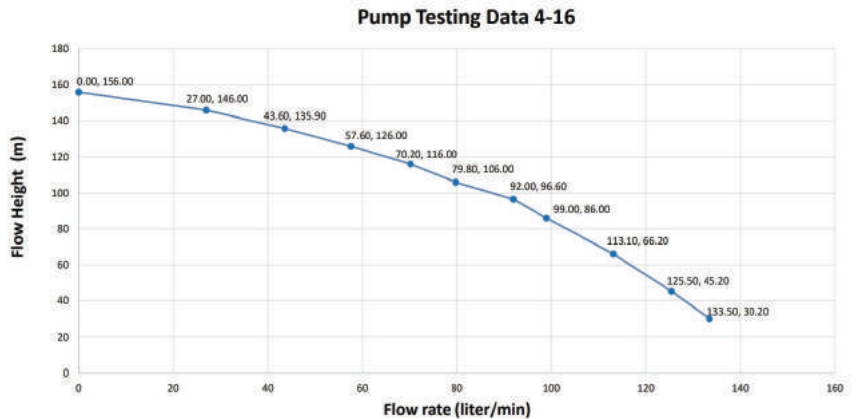
Performance Chart :-

Application:-

- > Water supply System
- > Ro Plant
- > Industrial washing system
- > STV Plant
- > Boiler feed system
- > Heavy machinery like VMC, Wire cut.



Model-KP4-16





MAFFS PUMPS
P V T L T D



आत्मनिर्भर भारत



A Special To Drive Turfessess Indian Startups & Companies initiated by **Mediatech** 2020



Factory Address:-

**134, Industrial Estate, Sangli - 416416 (M.S. - India)
Contact 9820568022**

**Regd Office 303, Badhra Apartment, Western Park,
Misquita Wadi, Western Express Highway No. 8,
Mira Road (East) Dist. Thane 401107, India.**

Contact No 9820568098

E-Mail : sales@maffspumps.com

www.maffspumps.com