



MAFFS PUMPS
P V T L T D



- MANUFACTURE
- SERVICES PROVIDER
- EXPORTER
- PROJECT SUPPLIER

All types of Industrial Pumps
and all types of pumps spares
etc.

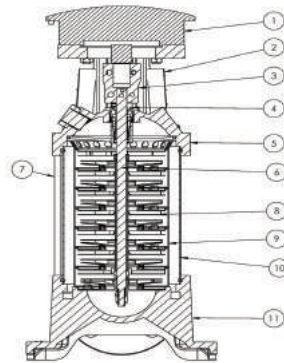


MAFFS PUMPS
P V T L T D

Pump Specification:



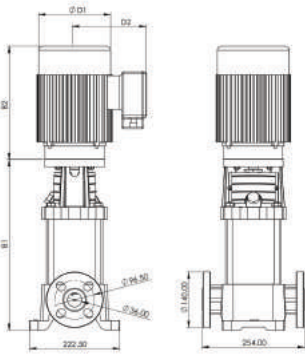
Cross Section View



BOM of Pumps

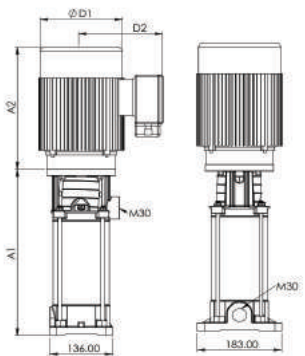
MAIN COMPONENT		
No.	Description	Material
1	Motor	
2	Coupling Cover	SS304
3	Coupling	Cast Iron
4	Mechanical Seal	Carbon/TC/Viton
5	Deffuser	SS304
6	Uper Casting	Cast Iron
7	Pump Shaft	SS304
8	Tention Bar	SS304
9	Impeller	SS304
10	Deffuser Assembly	SS304
11	Outer Sleeve	SS304
12	Base	Cast Iron

General Specification Detail Dwg:-



MODEL	SIZE(mm)				
	B1	B2	B1+B2	D1	D2
KP2-9	404.50	271.50	676.00	162.00	145.50
KP2-11	440.50	271.50	712.00	162.00	145.50
KP2-13	476.50	276.60	753.10	182.80	153.60
KP2-15	512.50	276.60	789.10	182.80	153.60
KP2-18	566.50	276.60	843.10	182.80	153.60
KP2-22	638.50	276.60	915.10	182.80	153.60
KP4-12	566.50	276.60	843.10	182.80	153.60
KP4-16	674.50	308.00	982.50	195.00	176.65
KP4-19	755.50	308.00	1063.50	195.00	176.65

Eco Type:-



MODEL	SIZE(mm)				
	A1	A2	A1+A2	D1	D2
KP2-9	389.45	271.50	660.95	162.00	145.50
KP2-11	425.45	271.50	696.95	162.00	145.50
KP2-13	461.45	276.60	738.05	182.80	153.60
KP2-15	497.45	276.60	774.05	182.80	153.60
KP2-18	561.45	276.60	838.05	182.80	153.60
KP2-22	623.45	276.60	900.05	182.80	153.60



Our Products:-

2 Series- Flange Type :-



KP2-9



KP2-11



KP2-13



KP2-15



KP2-18



KP2-22

2 Series- Eco Type :-



KP2-9



KP2-11



KP2-13



KP2-15



KP2-18



KP2-22

4 Series- Flange Type :-



KP4-12



KP4-16



KP4-19



KP4-22



Pumps Series - KP4-12

Technical Data:-

Flow rate : 0-147.3 L/m
 Flow height: 110.3 m
 Voltage : 220v
 Frequency : 50 Hz
 PF : 0.97
 Material :Stainless steel

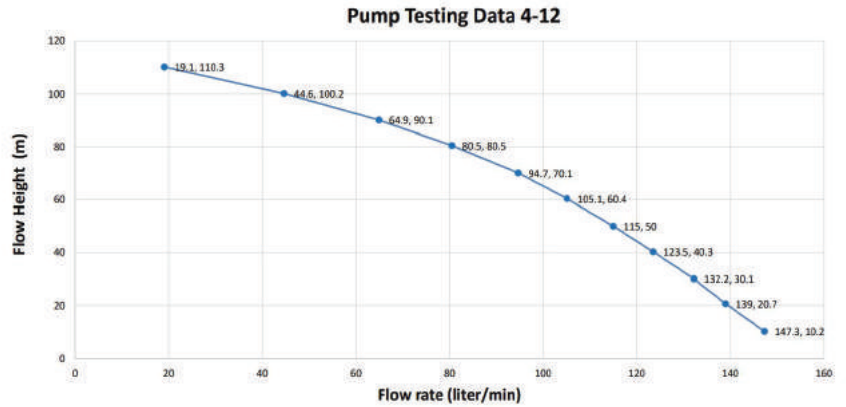
Pump Testing Data 4 -13(3HP)

Frequency-50HZ		PF-0.97					
SR NO	Voltage(V)	Current (A)	Input Power (KW)	Output Power (KW)	Flow rate (liter/min)	Flow Height (m)	Overall Efficiency(%)
1	220	11.60	2.55	0.25	147.30	10.20	9.60
2	220	11.87	2.61	0.47	139.00	20.70	18.00
3	220	12.10	2.66	0.65	132.20	30.10	24.40
4	220	12.27	2.70	0.81	123.50	40.30	30.10
5	220	12.56	2.76	0.94	115.00	50.00	34.00
6	220	12.63	2.78	1.04	105.10	60.40	37.30
7	220	12.60	2.77	1.08	94.70	70.10	39.10
8	220	12.36	2.72	1.06	80.50	80.50	38.90
9	220	11.67	2.57	0.96	64.90	90.10	37.20
10	220	10.40	2.29	0.73	44.60	100.20	31.90
11	220	8.32	1.83	0.34	19.10	110.30	18.80

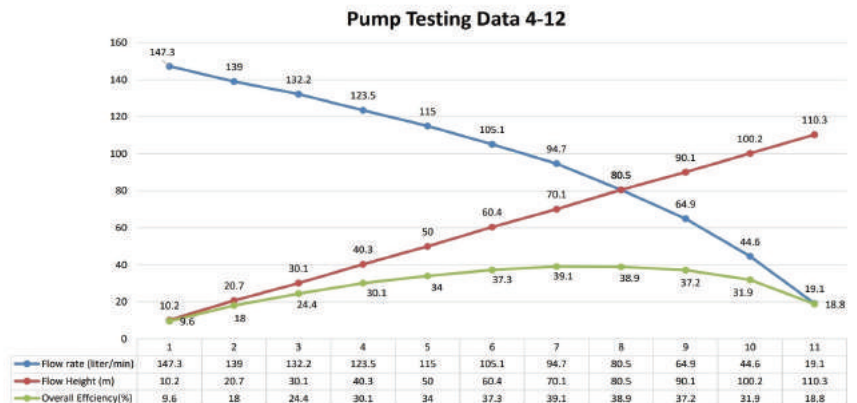
Performance Chart :-

Application:-

- > Water supply System
- > Ro Plant
- > Industrial washing system
- > STV Plant
- > Boiler feed system
- > Heavy machinery like VMC, Wire cut

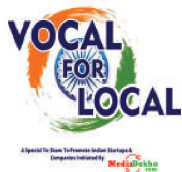


Model-KP4-12





MAFFS PUMPS
P V T L T D



Factory Address:-

**134, Industrial Estate, Sangli - 416416 (M.S. - India)
Contact 9820568022**

**Regd Office 303, Badhra Apartment, Western Park,
Misquita Wadi, Western Express Highway No. 8,
Mira Road (East) Dist. Thane 401107, India.**

Contact No 9820568098

E-Mail : sales@maffspumps.com

www.maffspumps.com