



MAFFS PUMPS
P V T L T D



- MANUFACTURE
- SERVICES PROVIDER
- EXPORTER
- PROJECT SUPPLIER

All types of Industrial Pumps
and all types of pumps spares
etc.

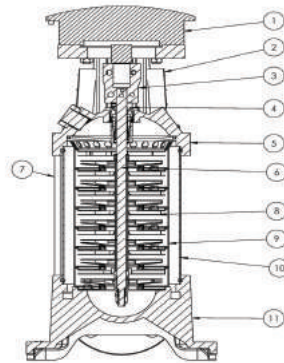


MAFFS PUMPS
P V T L T D

Pump Specification:



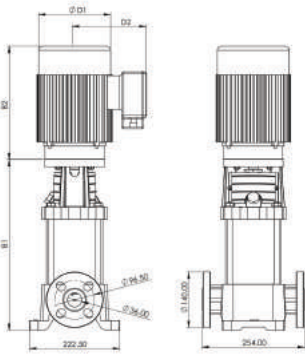
Cross Section View



BOM of Pumps

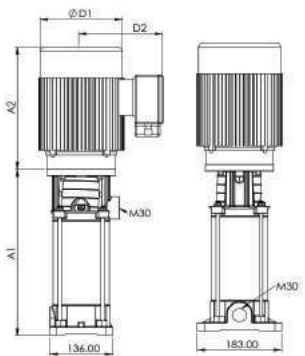
| MAIN COMPONENT | | |
|----------------|-------------------|-----------------|
| No. | Description | Material |
| 1 | Motor | |
| 2 | Coupling Cover | SS304 |
| 3 | Coupling | Cast Iron |
| 4 | Mechanical Seal | Carbon/TC/Viton |
| 5 | Deffuser | SS304 |
| 6 | Uper Casting | Cast Iron |
| 7 | Pump Shaft | SS304 |
| 8 | Tention Bar | SS304 |
| 9 | Impeller | SS304 |
| 10 | Deffuser Assembly | SS304 |
| 11 | Outer Sleeve | SS304 |
| 12 | Base | Cast Iron |

General Specification Detail Dwg:-



| MODEL | SIZE(mm) | | | | |
|--------|----------|--------|---------|--------|--------|
| | B1 | B2 | B1+B2 | D1 | D2 |
| KP2-9 | 404.50 | 271.50 | 676.00 | 162.00 | 145.50 |
| KP2-11 | 440.50 | 271.50 | 712.00 | 162.00 | 145.50 |
| KP2-13 | 476.50 | 276.60 | 753.10 | 182.80 | 153.60 |
| KP2-15 | 512.50 | 276.60 | 789.10 | 182.80 | 153.60 |
| KP2-18 | 566.50 | 276.60 | 843.10 | 182.80 | 153.60 |
| KP2-22 | 638.50 | 276.60 | 915.10 | 182.80 | 153.60 |
| KP4-12 | 566.50 | 276.60 | 843.10 | 182.80 | 153.60 |
| KP4-16 | 674.50 | 308.00 | 982.50 | 195.00 | 176.65 |
| KP4-19 | 755.50 | 308.00 | 1063.50 | 195.00 | 176.65 |

Eco Type:-



| MODEL | SIZE(mm) | | | | |
|--------|----------|--------|--------|--------|--------|
| | A1 | A2 | A1+A2 | D1 | D2 |
| KP2-9 | 389.45 | 271.50 | 660.95 | 162.00 | 145.50 |
| KP2-11 | 425.45 | 271.50 | 696.95 | 162.00 | 145.50 |
| KP2-13 | 461.45 | 276.60 | 738.05 | 182.80 | 153.60 |
| KP2-15 | 497.45 | 276.60 | 774.05 | 182.80 | 153.60 |
| KP2-18 | 561.45 | 276.60 | 838.05 | 182.80 | 153.60 |
| KP2-22 | 623.45 | 276.60 | 900.05 | 182.80 | 153.60 |



Our Products:-

2 Series- Flange Type :-



KP2-9



KP2-11



KP2-13



KP2-15



KP2-18



KP2-22

2 Series- Eco Type :-



KP2-9



KP2-11



KP2-13



KP2-15



KP2-18



KP2-22

4 Series- Flange Type :-



KP4-12



KP4-16



KP4-19



KP4-22



Pumps Series - KP2-22 Technical Data:-

Flow rate : 0-86 L/m
 Flow height: 208.7 m
 Voltage : 216-230v
 Frequency : 50 Hz
 PF : 0.93
 Material :Stainless steel

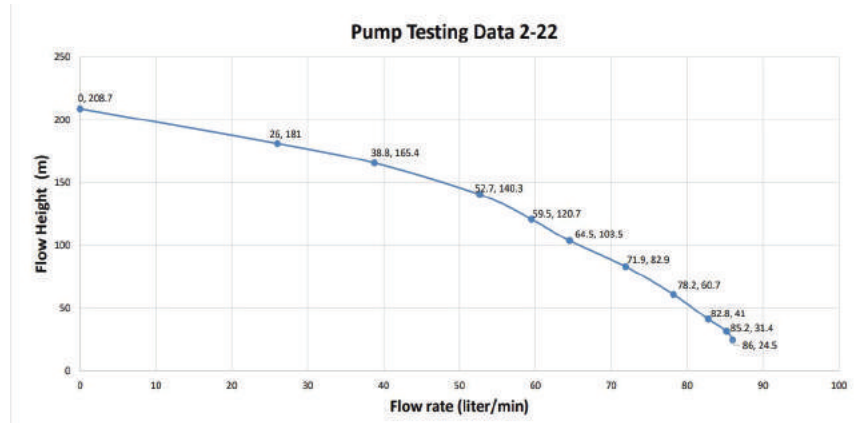
Pump Testing Data 2-22(3HP)

| Frequency-50HZ | | PF-0.93 | | | | | |
|----------------|-------------|-------------|------------------|-------------------|-----------------------|-----------------|---------------------|
| SR NO | Voltage (V) | Current (A) | Input Power (KW) | Output Power (KW) | Flow rate (liter/min) | Flow Height (m) | Overall Efficiency% |
| 1 | 230.00 | 9.30 | 2.14 | 0.00 | 0.00 | 208.70 | 0.00 |
| 2 | 223.00 | 12.70 | 2.83 | 0.77 | 26.00 | 181.00 | 27.15 |
| 3 | 219.00 | 14.00 | 3.07 | 1.05 | 38.80 | 165.40 | 34.20 |
| 4 | 217.80 | 14.93 | 3.25 | 1.21 | 52.70 | 140.30 | 37.15 |
| 5 | 216.20 | 15.00 | 3.24 | 1.17 | 59.50 | 120.70 | 36.18 |
| 6 | 217.00 | 14.80 | 3.21 | 1.09 | 64.50 | 103.50 | 33.96 |
| 7 | 219.30 | 14.38 | 3.15 | 0.97 | 71.90 | 82.90 | 30.88 |
| 8 | 219.60 | 13.84 | 3.04 | 0.78 | 78.20 | 60.70 | 25.52 |
| 9 | 217.60 | 13.29 | 2.89 | 0.55 | 82.80 | 41.00 | 19.18 |
| 10 | 218.00 | 13.00 | 2.83 | 0.44 | 85.20 | 31.40 | 15.42 |
| 11 | 221.00 | 12.86 | 2.84 | 0.34 | 86.00 | 24.50 | 12.11 |

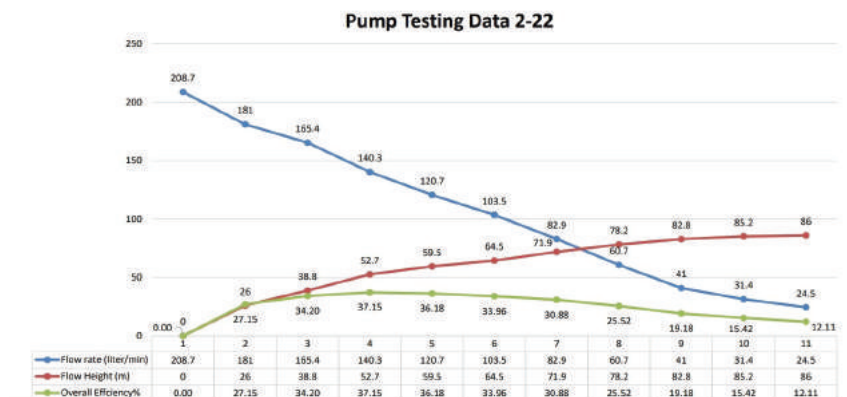
Performance Chart :-

Application:-

- > Water supply System
- > Ro Plant
- > Industrial washing system
- > STV Plant
- > Boiler feed system
- > Heavy machinery like VMC, Wire cut

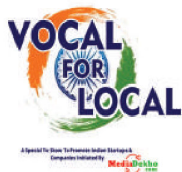


Model-KP2-22





MAFFS PUMPS
P V T L T D



Factory Address:-

**134, Industrial Estate, Sangli - 416416 (M.S. - India)
Contact 9820568022**

**Regd Office 303, Badhra Apartment, Western Park,
Misquita Wadi, Western Express Highway No. 8,
Mira Road (East) Dist. Thane 401107, India.**

Contact No 9820568098

E-Mail : sales@maffspumps.com

www.maffspumps.com