



MAFFS PUMPS
P V T L T D



- MANUFACTURE
- SERVICES PROVIDER
- EXPORTER
- PROJECT SUPPLIER

All types of Industrial Pumps
and all types of pumps spares
etc.

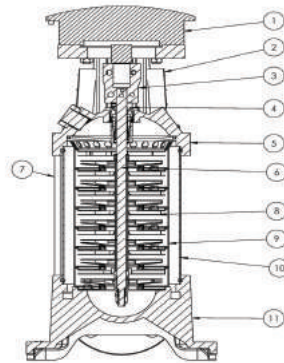


MAFFS PUMPS
P V T L T D

Pump Specification:



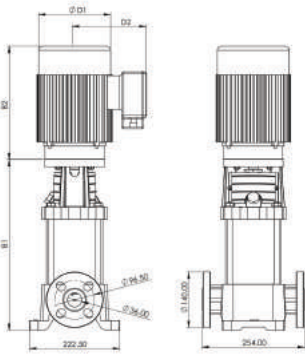
Cross Section View



BOM of Pumps

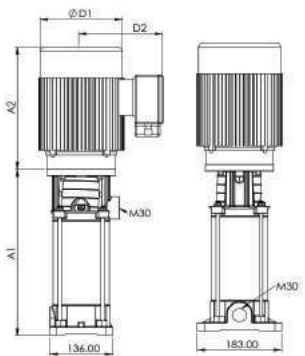
MAIN COMPONENT		
No.	Description	Material
1	Motor	
2	Coupling Cover	SS304
3	Coupling	Cast Iron
4	Mechanical Seal	Carbon/TC/Viton
5	Deffuser	SS304
6	Uper Casting	Cast Iron
7	Pump Shaft	SS304
8	Tention Bar	SS304
9	Impeller	SS304
10	Deffuser Assembly	SS304
11	Outer Sleeve	SS304
12	Base	Cast Iron

General Specification Detail Dwg:-



MODEL	SIZE(mm)				
	B1	B2	B1+B2	D1	D2
KP2-9	404.50	271.50	676.00	162.00	145.50
KP2-11	440.50	271.50	712.00	162.00	145.50
KP2-13	476.50	276.60	753.10	182.80	153.60
KP2-15	512.50	276.60	789.10	182.80	153.60
KP2-18	566.50	276.60	843.10	182.80	153.60
KP2-22	638.50	276.60	915.10	182.80	153.60
KP4-12	566.50	276.60	843.10	182.80	153.60
KP4-16	674.50	308.00	982.50	195.00	176.65
KP4-19	755.50	308.00	1063.50	195.00	176.65

Eco Type:-



MODEL	SIZE(mm)				
	A1	A2	A1+A2	D1	D2
KP2-9	389.45	271.50	660.95	162.00	145.50
KP2-11	425.45	271.50	696.95	162.00	145.50
KP2-13	461.45	276.60	738.05	182.80	153.60
KP2-15	497.45	276.60	774.05	182.80	153.60
KP2-18	561.45	276.60	838.05	182.80	153.60
KP2-22	623.45	276.60	900.05	182.80	153.60



Our Products:-

2 Series- Flange Type :-



KP2-9



KP2-11



KP2-13



KP2-15



KP2-18



KP2-22

2 Series- Eco Type :-



KP2-9



KP2-11



KP2-13



KP2-15



KP2-18



KP2-22

4 Series- Flange Type :-



KP4-12



KP4-16



KP4-19



KP4-22



Pumps Series - KP2-18 Technical Data:-

Flow rate : 0-77.5 L/m
 Flow height: 171.6 m
 Voltage : 220v
 Frequency : 50 Hz
 PF : 0.98
 Material : Stainless steel

Application:-

- > Water supply System
- > Ro Plant
- > Industrial washing system
- > STV Plant
- > Boiler feed system
- > Heavy machinery like VMC, Wire cut

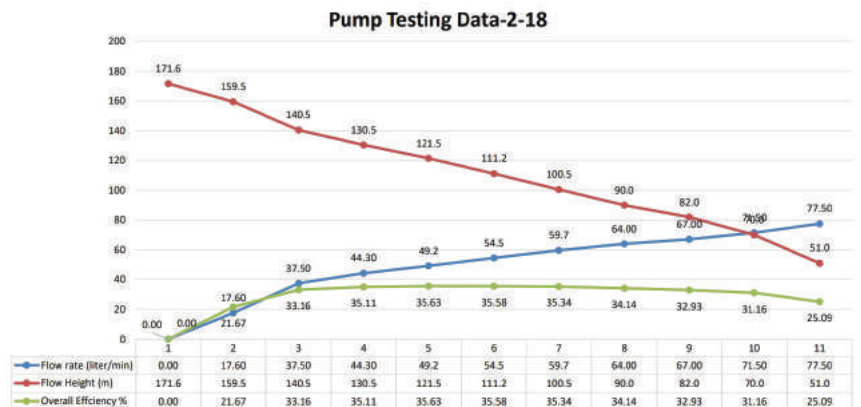
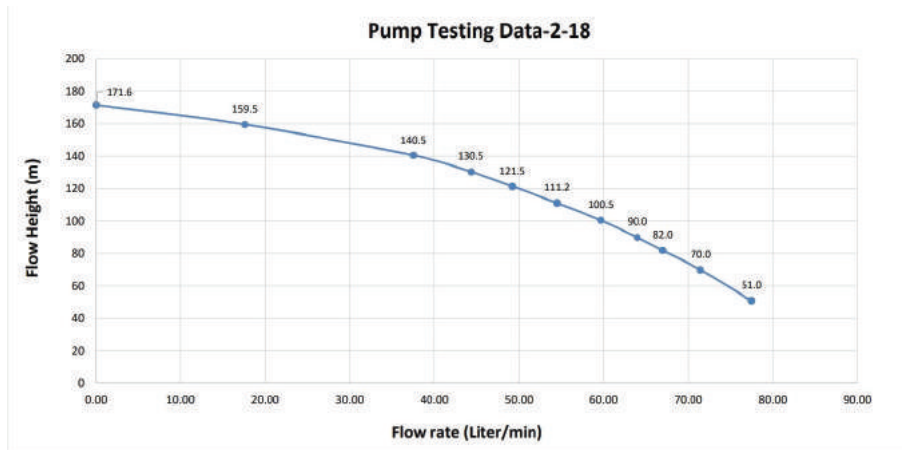


Model-KP2-18

Pump Testing Data 2-18(3HP)

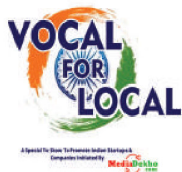
Frequency-50HZ		PF-0.98					
SR NO	Voltage(V)	Current (A)	Input Power (KW)	Output Power (KW)	Flow rate (liter/min)	Flow Height (m)	Overall Efficiency %
1	220	7.50	1.65	0.00	0.00	171.6	0.00
2	220	9.62	2.12	0.46	17.60	159.5	21.67
3	220	11.80	2.60	0.86	37.50	140.5	33.16
4	220	12.23	2.69	0.94	44.30	130.5	35.11
5	220	12.46	2.74	0.98	49.2	121.5	35.63
6	220	12.65	2.78	0.99	54.5	111.2	35.58
7	220	12.61	2.77	0.98	59.7	100.5	35.34
8	220	12.53	2.76	0.94	64.00	90.0	34.14
9	220	12.39	2.73	0.90	67.00	82.0	32.93
10	220	11.93	2.62	0.82	71.50	70.0	31.16
11	220	11.70	2.57	0.65	77.50	51.0	25.09

Performance Chart :-





MAFFS PUMPS
P V T L T D



Factory Address:-

**134, Industrial Estate, Sangli - 416416 (M.S. - India)
Contact 9820568022**

**Regd Office 303, Badhra Apartment, Western Park,
Misquita Wadi, Western Express Highway No. 8,
Mira Road (East) Dist. Thane 401107, India.**

Contact No 9820568098

E-Mail : sales@maffspumps.com

www.maffspumps.com