



MAFFS PUMPS
P V T L T D



- MANUFACTURE
- SERVICES PROVIDER
- EXPORTER
- PROJECT SUPPLIER

All types of Industrial Pumps
and all types of pumps spares
etc.

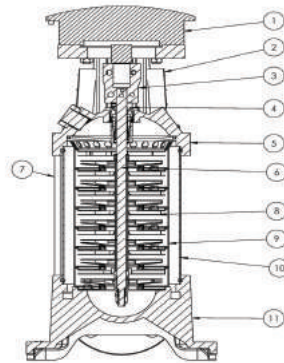


MAFFS PUMPS
P V T L T D

Pump Specification:



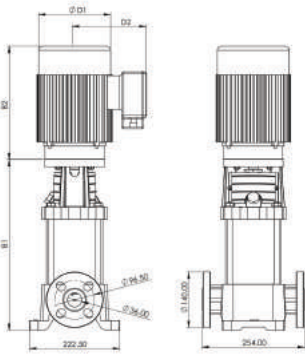
Cross Section View



BOM of Pumps

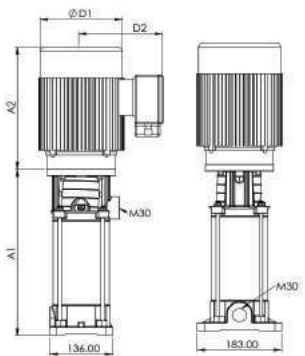
MAIN COMPONENT		
No.	Description	Material
1	Motor	
2	Coupling Cover	SS304
3	Coupling	Cast Iron
4	Mechanical Seal	Carbon/TC/Viton
5	Diffuser	SS304
6	Uper Casting	Cast Iron
7	Pump Shaft	SS304
8	Tention Bar	SS304
9	Impeller	SS304
10	Diffuser Assembly	SS304
11	Outer Sleeve	SS304
12	Base	Cast Iron

General Specification Detail Dwg:-



MODEL	SIZE(mm)				
	B1	B2	B1+B2	D1	D2
KP2-9	404.50	271.50	676.00	162.00	145.50
KP2-11	440.50	271.50	712.00	162.00	145.50
KP2-13	476.50	276.60	753.10	182.80	153.60
KP2-15	512.50	276.60	789.10	182.80	153.60
KP2-18	566.50	276.60	843.10	182.80	153.60
KP2-22	638.50	276.60	915.10	182.80	153.60
KP4-12	566.50	276.60	843.10	182.80	153.60
KP4-16	674.50	308.00	982.50	195.00	176.65
KP4-19	755.50	308.00	1063.50	195.00	176.65

Eco Type:-



MODEL	SIZE(mm)				
	A1	A2	A1+A2	D1	D2
KP2-9	389.45	271.50	660.95	162.00	145.50
KP2-11	425.45	271.50	696.95	162.00	145.50
KP2-13	461.45	276.60	738.05	182.80	153.60
KP2-15	497.45	276.60	774.05	182.80	153.60
KP2-18	561.45	276.60	838.05	182.80	153.60
KP2-22	623.45	276.60	900.05	182.80	153.60



Our Products:-

2 Series- Flange Type :-



KP2-9



KP2-11



KP2-13



KP2-15



KP2-18



KP2-22

2 Series- Eco Type :-



KP2-9



KP2-11



KP2-13



KP2-15



KP2-18



KP2-22

4 Series- Flange Type :-



KP4-12



KP4-16



KP4-19



KP4-22



Pumps Series - KP2-15

Technical Data:-

Flow rate : 0-86.5 L/m
 Flow height: 143.7 m
 Voltage : 220v
 Frequency : 50 Hz
 PF : 0.98
 Material : Stainless steel

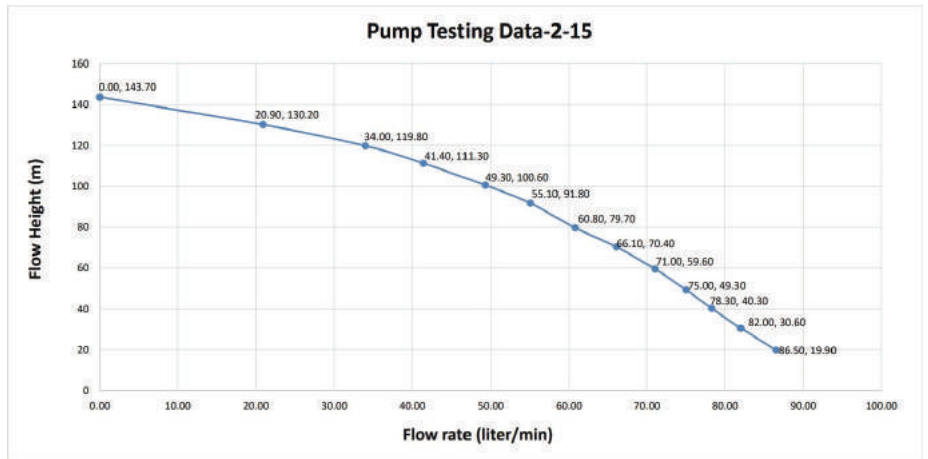
Pump Testing Data 2-15(2HP)

Frequency-50HZ		PF-0.98					
SR NO	Voltage (V)	Current (A)	Input Power (KW)	Output Power (KW)	Flow rate (liter/min)	Flow Height (m)	Overall Efficiency%
1	220	9.12	2.01	0.00	0.00	143.70	0.00
2	220	9.59	2.11	0.44	20.90	130.20	21.07
3	220	9.86	2.17	0.67	34.00	119.80	30.68
4	220	9.98	2.20	0.75	41.40	111.30	34.29
5	220	10.15	2.23	0.81	49.30	100.60	36.29
6	220	10.38	2.28	0.83	55.10	91.80	36.19
7	220	10.45	2.30	0.79	60.80	79.70	34.44
8	220	10.37	2.28	0.76	66.10	70.40	33.33
9	220	10.24	2.25	0.69	71.00	59.60	30.69
10	220	9.73	2.14	0.60	75.00	49.30	28.22
11	220	9.13	2.01	0.52	78.30	40.30	25.67
12	220	7.73	1.70	0.41	82.00	30.60	24.11
13	220	5.78	1.27	0.28	86.50	19.90	22.12

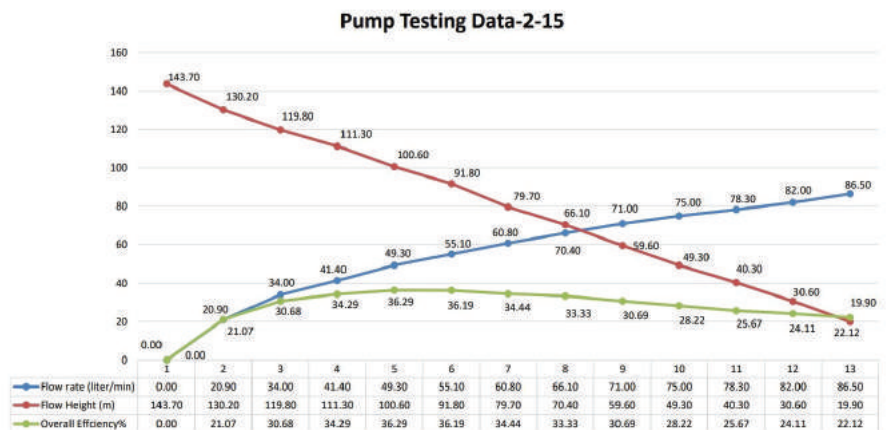
Performance Chart :-

Application:-

- > Water supply System
- > Ro Plant
- > Industrial washing system
- > STV Plant
- > Boiler feed system
- > Heavy machinery like VMC, Wire cut



Model-KP2-15

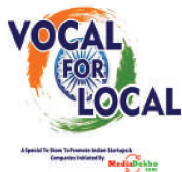




MAFFS PUMPS
P V T L T D



आत्मनिर्भर भारत



A Special To Drive Turnover In India Back
Compensation by **Mediatech**



Factory Address:-

**134, Industrial Estate, Sangli - 416416 (M.S. - India)
Contact 9820568022**

**Regd Office 303, Badhra Apartment, Western Park,
Misquita Wadi, Western Express Highway No. 8,
Mira Road (East) Dist. Thane 401107, India.**

Contact No 9820568098

E-Mail : sales@maffspumps.com

www.maffspumps.com