



MAFFS PUMPS
P V T L T D



- MANUFACTURE
- SERVICES PROVIDER
- EXPORTER
- PROJECT SUPPLIER

All types of Industrial Pumps
and all types of pumps spares
etc.

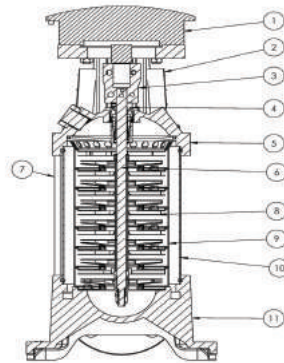


MAFFS PUMPS
P V T L T D

Pump Specification:



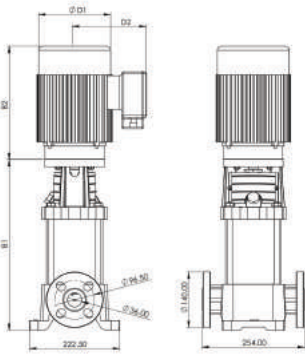
Cross Section View



BOM of Pumps

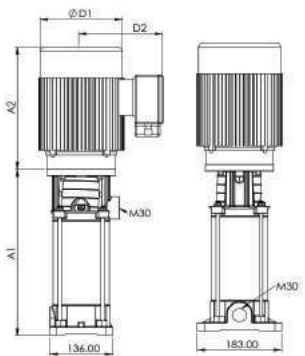
MAIN COMPONENT		
No.	Description	Material
1	Motor	
2	Coupling Cover	SS304
3	Coupling	Cast Iron
4	Mechanical Seal	Carbon/TC/Viton
5	Deffuser	SS304
6	Uper Casting	Cast Iron
7	Pump Shaft	SS304
8	Tention Bar	SS304
9	Impeller	SS304
10	Deffuser Assembly	SS304
11	Outer Sleeve	SS304
12	Base	Cast Iron

General Specification Detail Dwg:-



MODEL	SIZE(mm)				
	B1	B2	B1+B2	D1	D2
KP2-9	404.50	271.50	676.00	162.00	145.50
KP2-11	440.50	271.50	712.00	162.00	145.50
KP2-13	476.50	276.60	753.10	182.80	153.60
KP2-15	512.50	276.60	789.10	182.80	153.60
KP2-18	566.50	276.60	843.10	182.80	153.60
KP2-22	638.50	276.60	915.10	182.80	153.60
KP4-12	566.50	276.60	843.10	182.80	153.60
KP4-16	674.50	308.00	982.50	195.00	176.65
KP4-19	755.50	308.00	1063.50	195.00	176.65

Eco Type:-



MODEL	SIZE(mm)				
	A1	A2	A1+A2	D1	D2
KP2-9	389.45	271.50	660.95	162.00	145.50
KP2-11	425.45	271.50	696.95	162.00	145.50
KP2-13	461.45	276.60	738.05	182.80	153.60
KP2-15	497.45	276.60	774.05	182.80	153.60
KP2-18	561.45	276.60	838.05	182.80	153.60
KP2-22	623.45	276.60	900.05	182.80	153.60



Our Products:-

2 Series- Flange Type :-



KP2-9



KP2-11



KP2-13



KP2-15



KP2-18



KP2-22

2 Series- Eco Type :-



KP2-9



KP2-11



KP2-13



KP2-15



KP2-18



KP2-22

4 Series- Flange Type :-



KP4-12



KP4-16



KP4-19



KP4-22



Pumps Series - KP2-13

Technical Data:-

Flow rate : 0-83.6 L/m
 Flow height: 129.2 m
 Voltage : 220v
 Frequency : 50 Hz
 PF : 0.98
 Material :Stainless steel

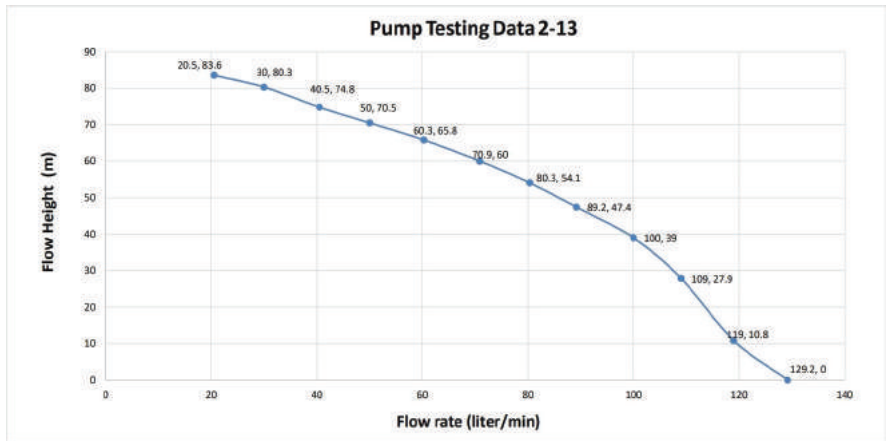
Pump Testing Data 2-13(3HP)

Frequency-50HZ		PF-0.98					
SR NO	Voltage (V)	Current (A)	Input Power (W)	Output Power (W)	Flow rate (liter/min)	Flow Height (m)	Overall Efficiency%
1	220	8.14	1790.8	280.033	83.6	20.5	15.64
2	220	8.34	1834.8	393.627	80.3	30	21.45
3	220	8.63	1898.6	495.000	74.8	40.5	26.07
4	220	8.8	1936	575.980	70.5	50	29.75
5	220	8.98	1975.6	648.324	65.8	60.3	32.82
6	220	9	1980	695.098	60	70.9	35.11
7	220	9.1	2002	709.842	54.1	80.3	35.46
8	220	8.89	1955.8	690.863	47.4	89.2	35.32
9	220	8.4	1848	637.255	39	100	34.48
10	220	7.7	1694	496.912	27.9	109	29.33
11	220	6.17	1357.4	210.0000	10.8	119	15.47
12	220	5.22	1148.4	0.000	0	129.2	0.00

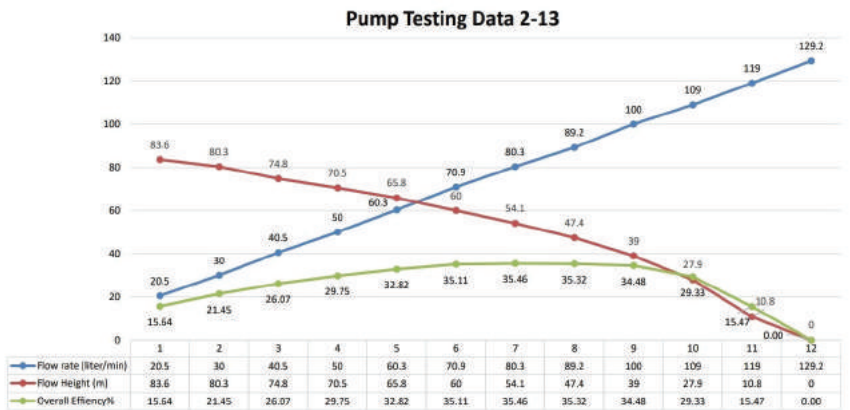
Performance Chart :-

Application:-

- > Water supply System
- > Ro Plant
- > Industrial washing system
- > STV Plant
- > Boiler feed system
- > Heavy machinery like VMC, Wire cut

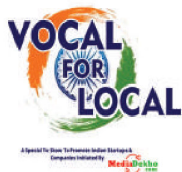


Model-KP2-13





MAFFS PUMPS
P V T L T D



Factory Address:-

**134, Industrial Estate, Sangli - 416416 (M.S. - India)
Contact 9820568022**

**Regd Office 303, Badhra Apartment, Western Park,
Misquita Wadi, Western Express Highway No. 8,
Mira Road (East) Dist. Thane 401107, India.**

Contact No 9820568098

E-Mail : sales@maffspumps.com

www.maffspumps.com