



MAFFS PUMPS  
P V T L T D



- MANUFACTURE
- SERVICES PROVIDER
- EXPORTER
- PROJECT SUPPLIER

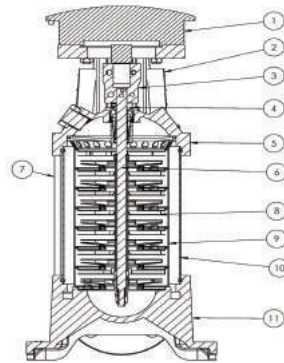
All types of Industrial Pumps  
and all types of pumps spares  
etc.



### Pump Specification:



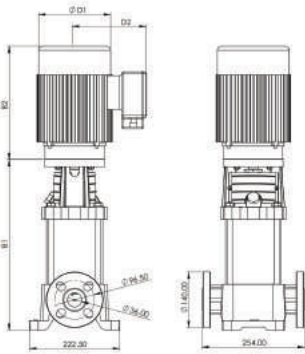
Cross Section View



BOM of Pumps

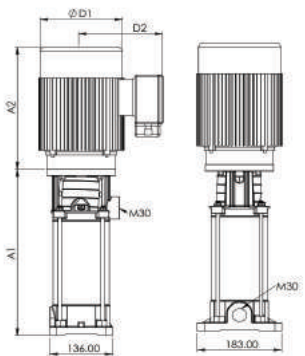
MAIN COMPONENT		
No.	Description	Material
1	Motor	
2	Coupling Cover	SS304
3	Coupling	Cast Iron
4	Mechanical Seal	Carbon/TC/Viton
5	Deffuser	SS304
6	Uper Casting	Cast Iron
7	Pump Shaft	SS304
8	Tention Bar	SS304
9	Impeller	SS304
10	Deffuser Assembly	SS304
11	Outer Sleeve	SS304
12	Base	Cast Iron

### General Specification Detail Dwg:-



MODEL	SIZE(mm)				
	B1	B2	B1+B2	D1	D2
KP2-9	404.50	271.50	676.00	162.00	145.50
KP2-11	440.50	271.50	712.00	162.00	145.50
KP2-13	476.50	276.60	753.10	182.80	153.60
KP2-15	512.50	276.60	789.10	182.80	153.60
KP2-18	566.50	276.60	843.10	182.80	153.60
KP2-22	638.50	276.60	915.10	182.80	153.60
KP4-12	566.50	276.60	843.10	182.80	153.60
KP4-16	674.50	308.00	982.50	195.00	176.65
KP4-19	755.50	308.00	1063.50	195.00	176.65

### Eco Type:-



MODEL	SIZE(mm)				
	A1	A2	A1+A2	D1	D2
KP2-9	389.45	271.50	660.95	162.00	145.50
KP2-11	425.45	271.50	696.95	162.00	145.50
KP2-13	461.45	276.60	738.05	182.80	153.60
KP2-15	497.45	276.60	774.05	182.80	153.60
KP2-18	561.45	276.60	838.05	182.80	153.60
KP2-22	623.45	276.60	900.05	182.80	153.60



Our Products:-

2 Series- Flange Type :-



KP2-9



KP2-11



KP2-13



KP2-15



KP2-18



KP2-22

2 Series- Eco Type :-



KP2-9



KP2-11



KP2-13



KP2-15



KP2-18



KP2-22

4 Series- Flange Type :-



KP4-12



KP4-16



KP4-19



KP4-22



# Pumps Series - KP2-11

## Technical Data:-

Flow rate : 0-87.7 L/m  
 Flow height: 102.8 m  
 Voltage : 238-240v  
 Frequency : 50 Hz  
 PF : 0.93  
 Material :Stainless steel

### Pump Testing Data 2×11(1.5HP)

Frequency-50HZ		PF-0.93					
SR NO	Voltage(V)	Current (A)	Input Power (KW)	Output Power (KW)	Flow rate (liter/min)	Flow Height (m)	Overall Efficiency(%)
1	240.00	8.20	1.97	0.25	0.00	102.80	9.60
2	238.00	8.70	2.07	0.47	36.20	84.80	18.00
3	238.00	9.00	2.14	0.65	48.90	72.60	24.40
4	239.00	9.00	2.15	0.81	54.90	65.00	30.10
5	237.20	8.90	2.11	0.94	63.90	53.60	34.00
6	237.00	8.87	2.10	1.04	69.20	46.20	37.30
7	237.00	8.60	2.04	1.08	75.10	32.80	39.10
8	237.50	8.60	2.04	1.06	79.20	26.10	38.90
9	239.30	8.85	2.12	0.96	82.80	20.00	37.20
10	238.00	8.40	2.00	0.73	84.90	15.30	31.90
11	238.90	8.40	2.01	0.34	87.70	10.00	18.80

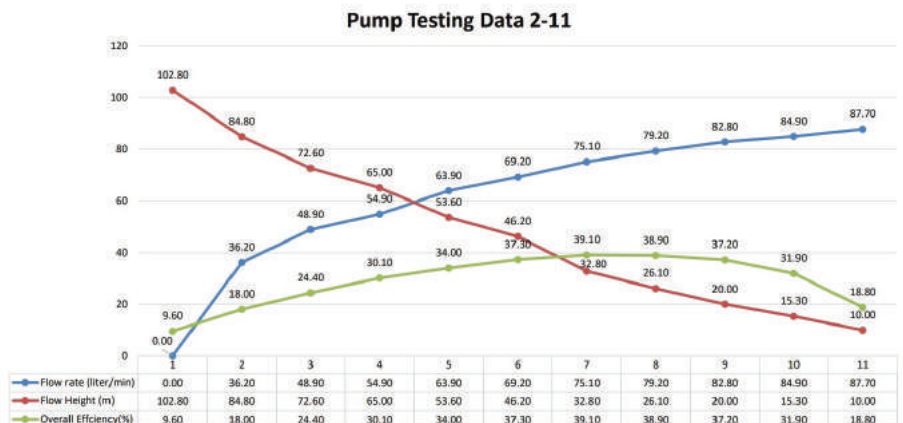
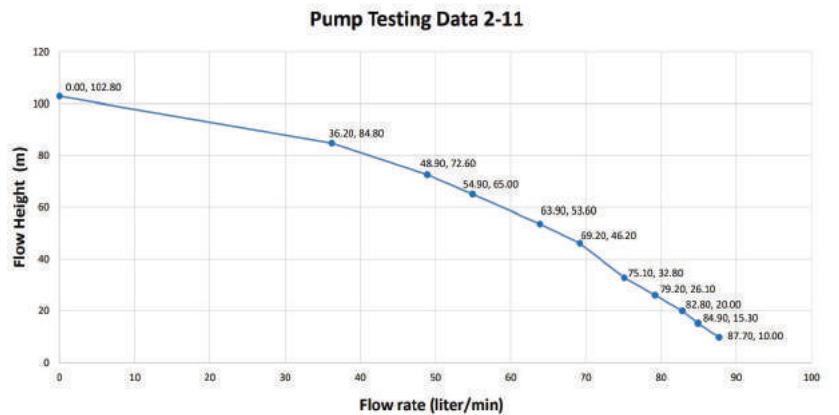
### Performance Chart :-

### Application:-

- > Water supply System
- > Ro Plant
- > Industrial washing system
- > STV Plant
- > Boiler feed system
- > Heavy machinery like VMC, Wire cut

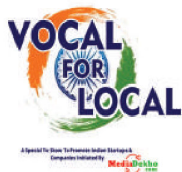


Model-KP2-11





**MAFFS PUMPS**  
P V T L T D



**Factory Address:-**

**134, Industrial Estate, Sangli - 416416 (M.S. - India)  
Contact 9820568022**

**Regd Office 303, Badhra Apartment, Western Park,  
Misquita Wadi, Western Express Highway No. 8,  
Mira Road (East) Dist. Thane 401107, India.**

**Contact No 9820568098**

**E-Mail : [sales@maffspumps.com](mailto:sales@maffspumps.com)**

**[www.maffspumps.com](http://www.maffspumps.com)**